

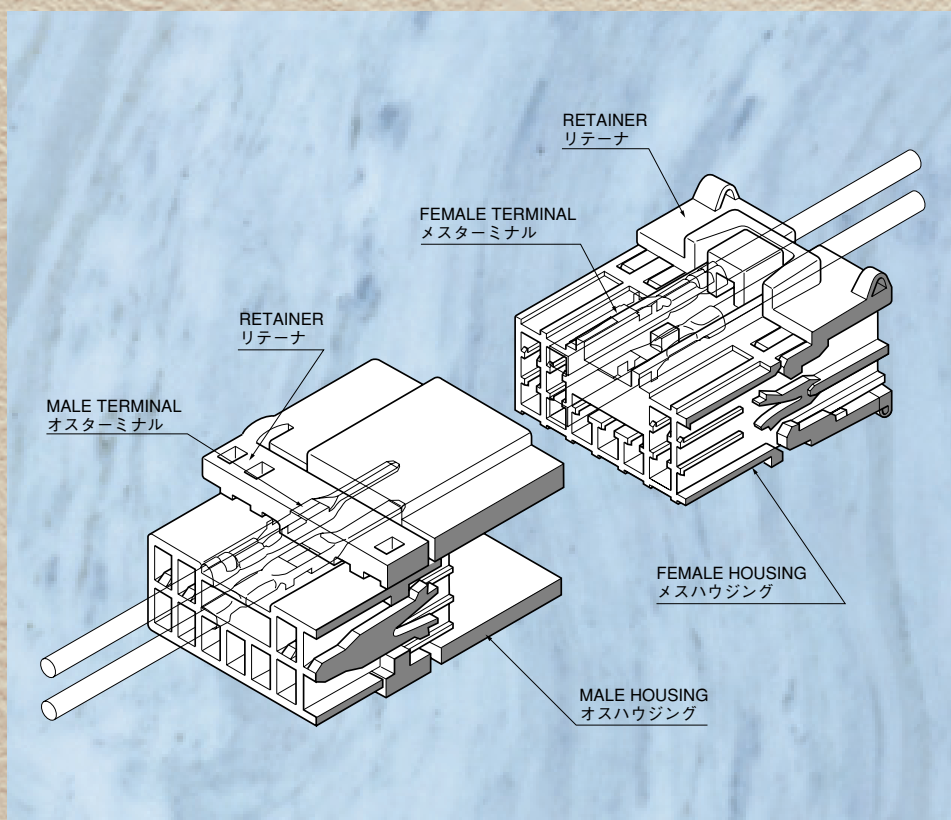
CDR

Compact & Double Retention type



従来のコネクタに比べ優れた接触信頼性を有した1.2mmタブサイズ（ピッチ：3.0）高性能超小型多極コネクタです。

1.2mm tab size (3.0 pitch) high performance, super-small multi-pole connector with superior connection reliability compared to previous connectors.



CDR CONNECTOR

Compact & Double Retention type

特長

CDRコネクタは、タブサイズ1.2mmの端子を採用した高性能超小型非防水コネクタです。最大極数19を有し、ハウジングロック機構には、音に依り嵌合を確認できるクリック・ロックを採用し、二重係止には、ヒンジ一体方式のリテーナを採用する事により、端子の不完全挿入防止と接続の信頼性・作業性を一段と向上させたコネクタです。

CHARACTERISTICS

The CDR connector is a high performance super-small unsealed connector employing 1.2mm tab size terminals.

With a maximum 19 poles, and through employment of a housing lock constructed with a click lock mechanism that allows connection confirmation by sound, as well as a hinged retainer in the dual retention system, connection reliability/operability and prevention of incomplete terminal insertion has been greatly improved.

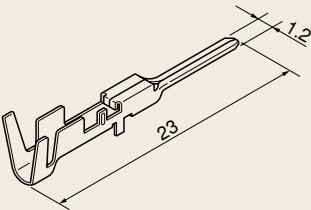
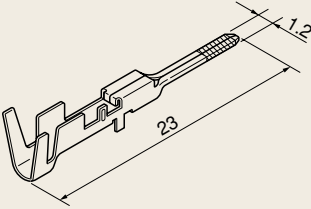
性能

- 1) 適用電線
AV 0.5 mm² (A.W.G.#20)
AVS 0.2~1.25 mm² (A.W.G.#24~#16)
- 2) ハウジングロック強度
98 N以上
- 3) 端子保持力
98 N以上
- 4) 許容電流
5 A (AVS 0.5 mm², 10/19 極通電時)
- 5) 電圧降下
初期 5 mV/A以下
耐久後 10 mV/A以下
- 6) 耐電圧
AC 1,000 V/分

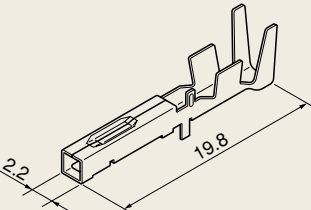
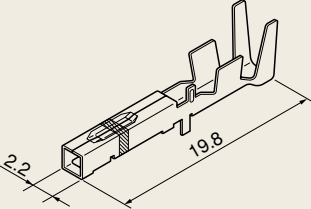
SPECIFICATIONS

- 1) **Applicable wire types :**
AV 0.5mm² (A.W.G.#20)
AVS 0.2~1.25mm² (A.W.G.#24~#16)
- 2) **Housing lock Strength :**
At least 98N
- 3) **Terminal to Housing lock Strength :**
At least 98N
- 4) **Permissible current :**
5A (AVS 0.5mm², when 10/19 poles conducting)
- 5) **Voltage Drops :**
Initial 5mV/A (max)
After durability 10mV/A (max)
- 6) **Withstand Voltage :**
AC 1,000V/min

オス端子 MALE TERMINAL

適用電線 WIRE SIZE	端子名称 TERMINAL NAME	形状 FORM	部品番号 PART No.
AVS 0.3mm ² AV, CAVS 0.3mm ²	CDRM-0.2		MT091-29030
CAVS 0.5~1.25mm ² AVS 0.5~0.85mm ² AV 0.5mm ²	CDRM-0.5		MT091-29830
AVS 0.3mm ² AV, CAVS 0.3mm ²	CDRM-0.2-AU		MT091-29060
CAVS 0.5~1.25mm ² AVS 0.5~0.85mm ² AV 0.5mm ²	CDRM-0.5-AU		MT091-29860

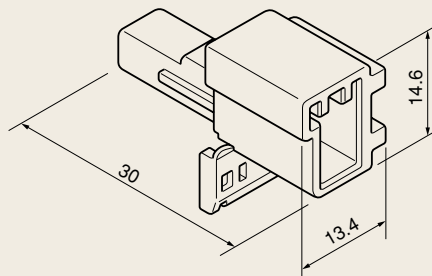
メス端子 FEMALE TERMINAL

適用電線 WIRE SIZE	端子名称 TERMINAL NAME	形状 FORM	部品番号 PART No.
AVS 0.3mm ² AV, CAVS 0.3mm ²	CDRF-0.2		MT095-29080
CAVS 0.5~1.25mm ² AVS 0.5~0.85mm ² AV 0.5mm ²	CDRF-0.5		MT095-29880
AVS 0.3mm ² AV, CAVS 0.3mm ²	CDRF-0.2-AU		MT095-29060
CAVS 0.5~1.25mm ² AVS 0.5~0.85mm ² AV 0.5mm ²	CDRF-0.5-AU		MT095-29860

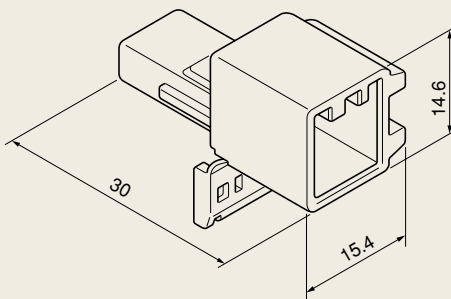
オスハウジング MALE HOUSING

オスハウジング MALE HOUSING

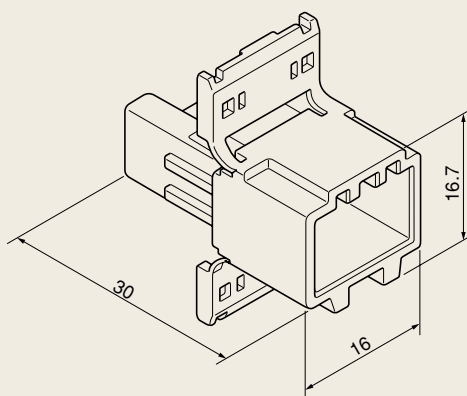
2P

CDR02M-W
PH841-02010
CDR02M-B
PH841-02020

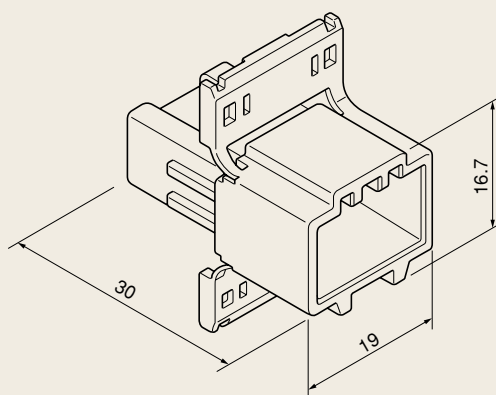
3P

CDR03M-W
PH841-03010
CDR03M-B
PH841-03020

5P

CDR05M-W
PH841-05010
CDR05M-B
PH841-05020

7P

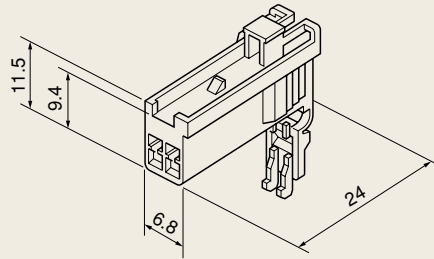
CDR07M-W
PH841-07010
CDR07M-B
PH841-07020

メスハウジング FEMALE HOUSING

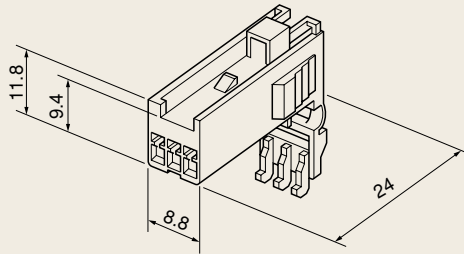
メスハウジング FEMALE HOUSING

2P

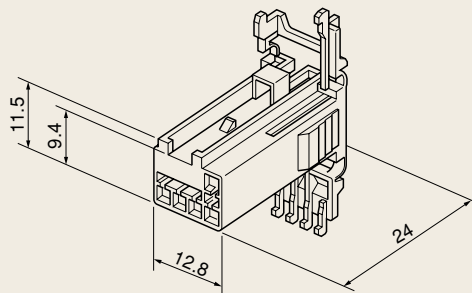
CDR02F-W
PH845-02010
CDR02F-B
PH845-02020

**3P**

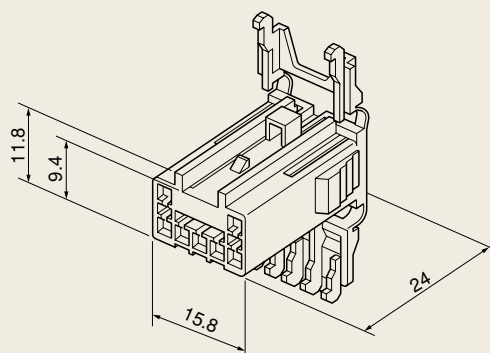
CDR03F-W
PH845-03010
CDR03F-B
PH845-03020

**5P**

CDR05F-W
PH845-05010
CDR05F-B
PH845-05020

**7P**

CDR07F-W
PH845-07010
CDR07F-B
PH845-07020



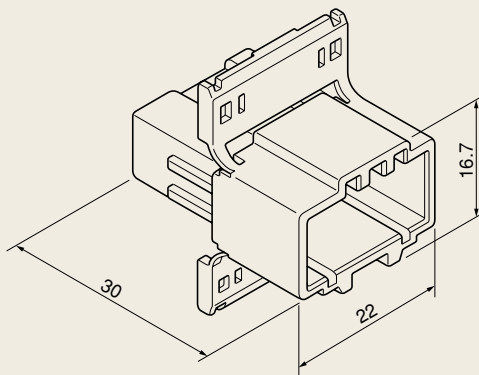
HOUSING

オスハウジング MALE HOUSING

オスハウジング MALE HOUSING

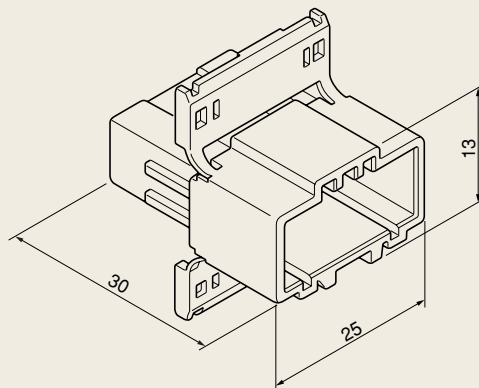
9P

CDR09M-W
PH841-09010
CDR09M-B
PH841-09020



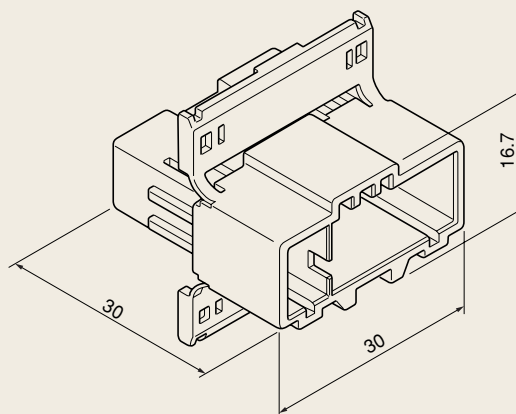
11P

CDR11M-W
PH841-11010
CDR11M-B
PH841-11020



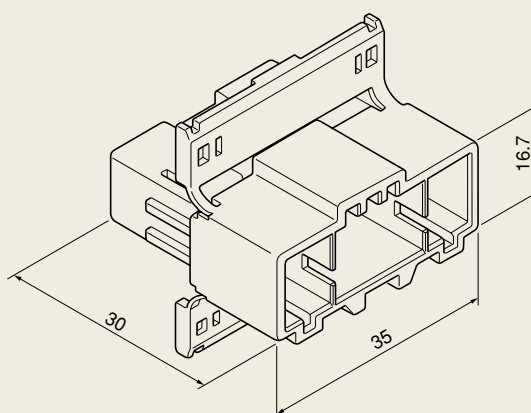
13P

CDR13M-W
PH841-13010
CDR13M-B
PH841-13020



15P

CDR15M-W
PH841-15010
CDR15M-B
PH841-15020

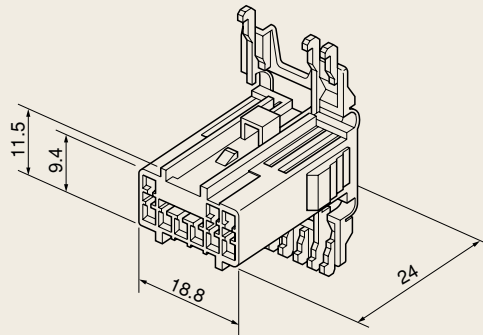


メスハウジング FEMALE HOUSING

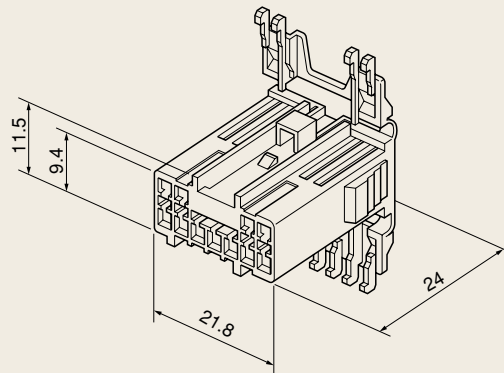
メスハウジング FEMALE HOUSING

9P

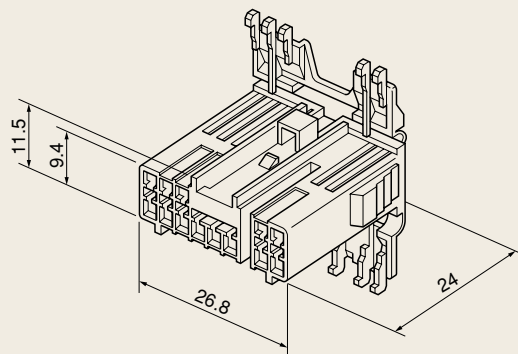
CDR09F-W
PH845-09010
CDR09F-B
PH845-09020

**11P**

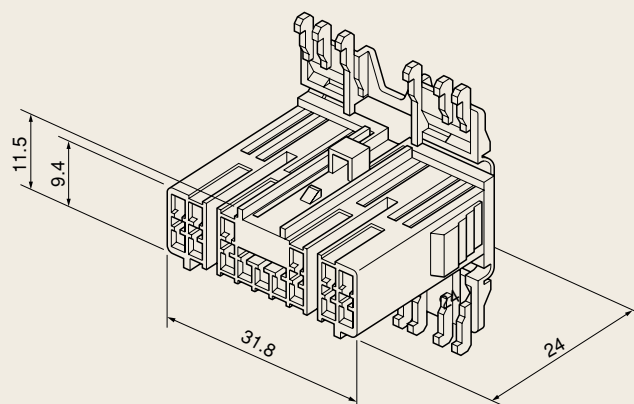
CDR11F-W
PH845-11010
CDR11F-B
PH845-11020

**13P**

CDR13F-W
PH845-13010
CDR13F-B
PH845-13020

**15P**

CDR15F-W
PH845-15010
CDR15F-B
PH845-15020

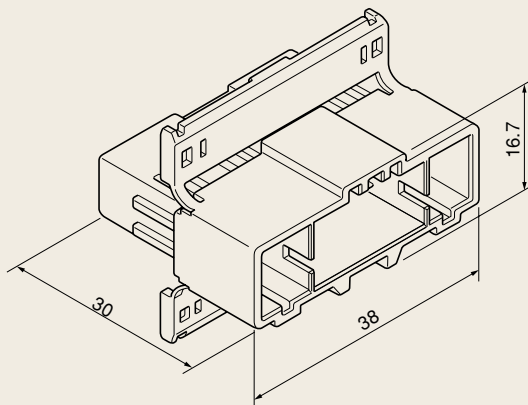


HOUSING

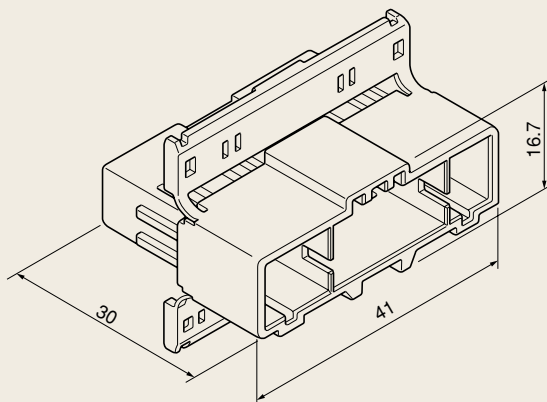
オスハウジング MALE HOUSING

オスハウジング MALE HOUSING

17P CDR17M-W
PH841-17010
CDR17M-B
PH841-17020



19P CDR19M-W
PH841-19010
CDR19M-B
PH841-19020



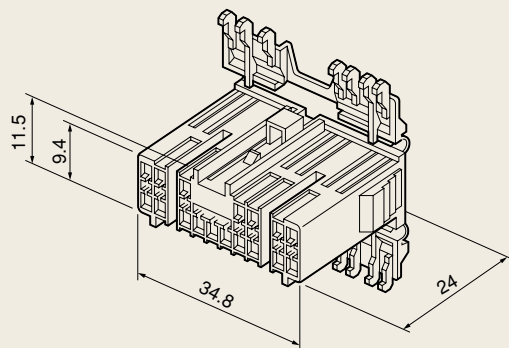
※ヒンジ部が仮に破損を生じても性能に差し支え有りません。そのままお使いになれます。

メスハウジング FEMALE HOUSING

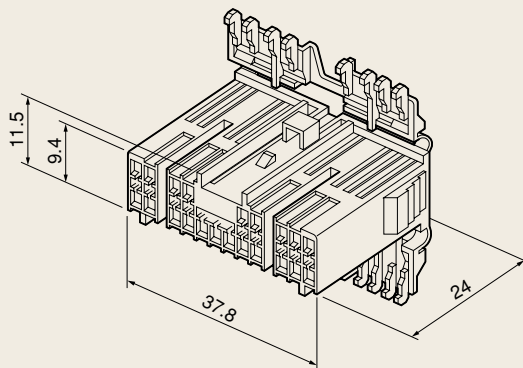
メスハウジング FEMALE HOUSING

17P

CDR17F-W
PH845-17010
CDR17F-B
PH845-17020

**19P**

CDR19F-W
PH845-19010
CDR19F-B
PH845-19020



※Even if the hinge section is damaged, the performance is not effected and it may be used as it is.

HOUSING

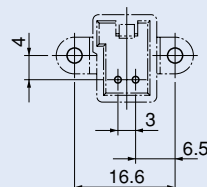
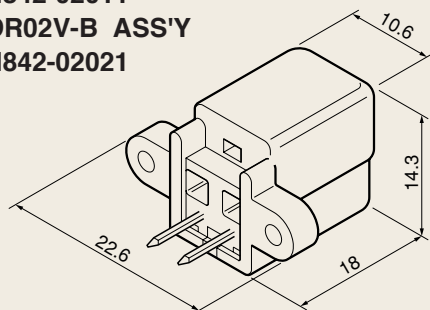
基板直付けタイプ direct-on-board installation type

基板用コネクタ ON-BOARD CONNECTOR

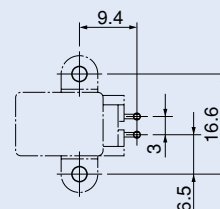
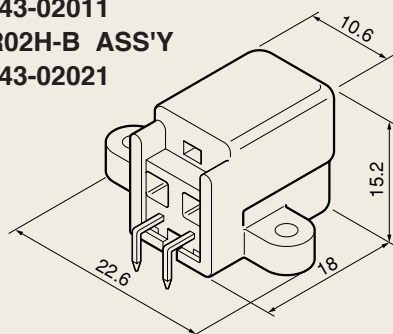
プリント基板穴位置 HOLE POSITION OF PRINT BOARD

2P

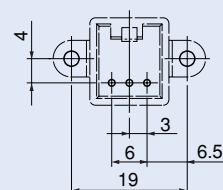
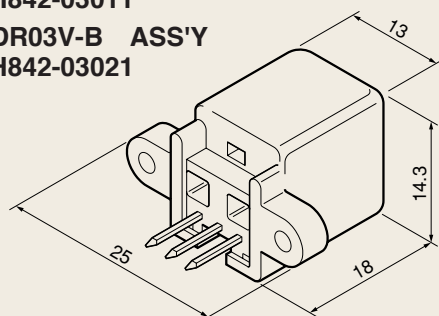
CDR02V-W ASS'Y
PH842-02011
CDR02V-B ASS'Y
PH842-02021



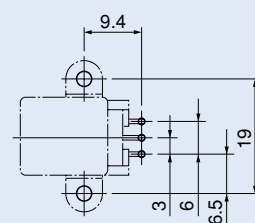
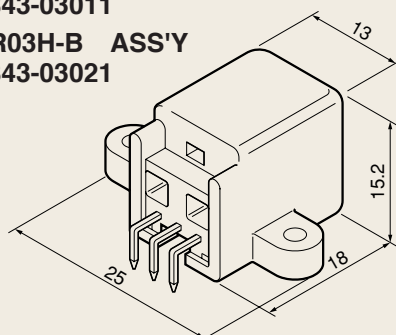
CDR02H-W ASS'Y
PH843-02011
CDR02H-B ASS'Y
PH843-02021

**3P**

CDR03V-W ASS'Y
PH842-03011
CDR03V-B ASS'Y
PH842-03021



CDR03H-W ASS'Y
PH843-03011
CDR03H-B ASS'Y
PH843-03021



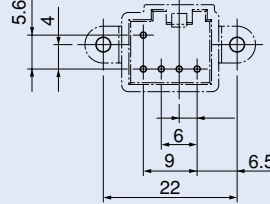
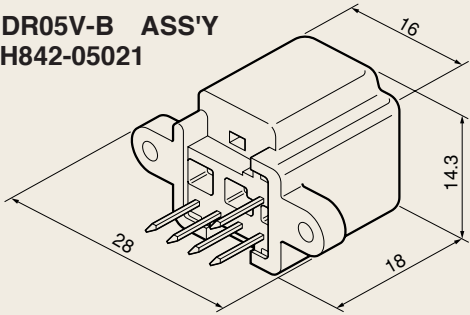
基板直付けタイプ direct-on-board installation type

基板用コネクタ ON-BOARD CONNECTOR

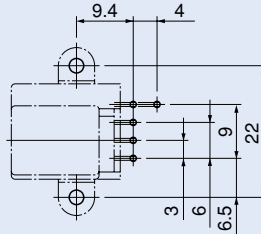
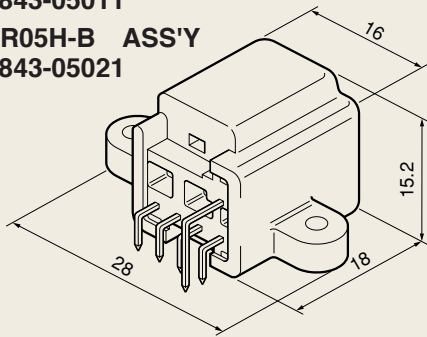
プリント基板穴位置 HOLE POSITION OF PRINT BOARD

5P

CDR05V-W ASS'Y
PH842-05011
CDR05V-B ASS'Y
PH842-05021

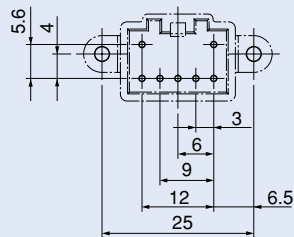
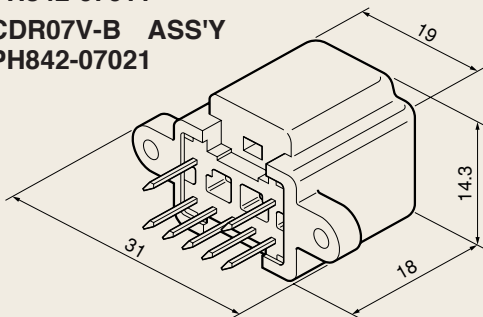


CDR05H-W ASS'Y
PH843-05011
CDR05H-B ASS'Y
PH843-05021

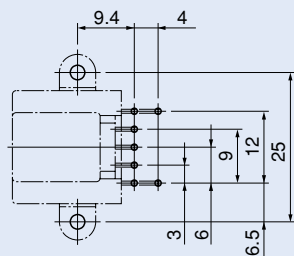
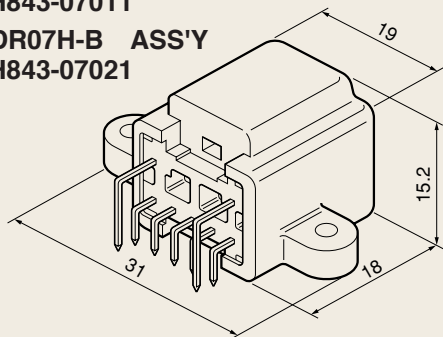


7P

CDR07V-W ASS'Y
PH842-07011
CDR07V-B ASS'Y
PH842-07021



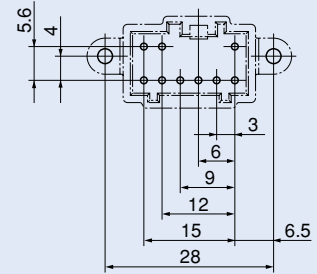
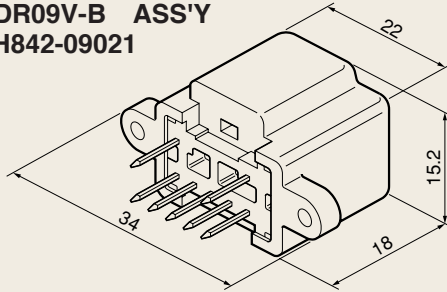
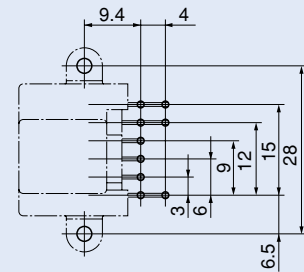
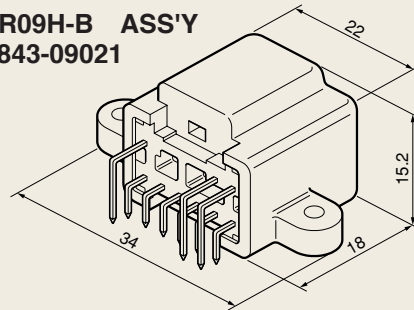
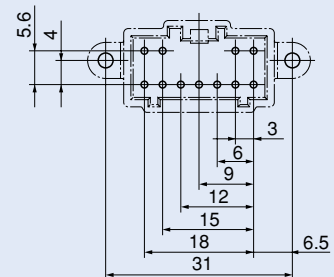
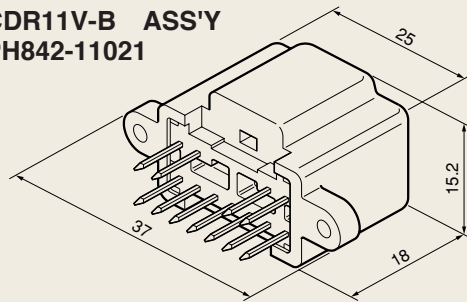
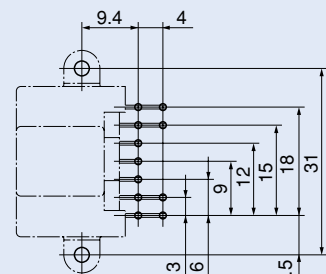
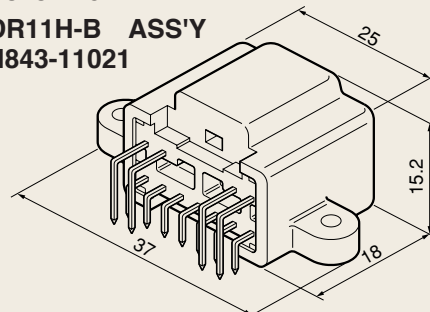
CDR07H-W ASS'Y
PH843-07011
CDR07H-B ASS'Y
PH843-07021



基板直付けタイプ direct-on-board installation type

基板用コネクタ ON-BOARD CONNECTOR

プリント基板穴位置 HOLE POSITION OF PRINT BOARD

9PCDR09V-W ASS'Y
PH842-09011CDR09V-B ASS'Y
PH842-09021CDR09H-W ASS'Y
PH843-09011CDR09H-B ASS'Y
PH843-09021**11P**CDR11V-W ASS'Y
PH842-11011CDR11V-B ASS'Y
PH842-11021CDR11H-W ASS'Y
PH843-11011CDR11H-B ASS'Y
PH843-11021

基板直付けタイプ direct-on-board installation type

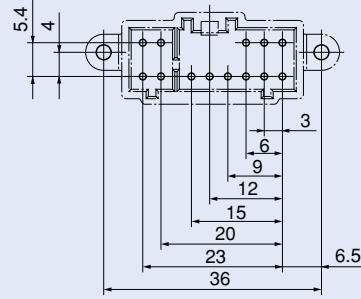
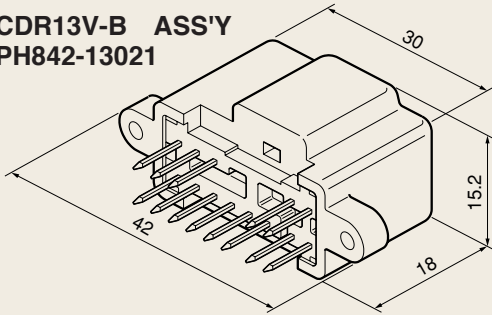
基板用コネクタ ON-BOARD CONNECTOR

プリント基板穴位置 HOLE POSITION OF PRINT BOARD

13P

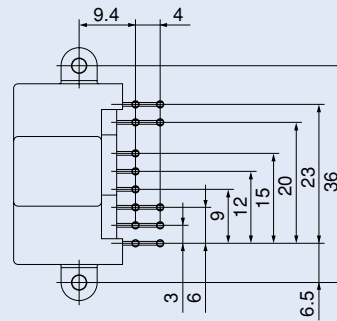
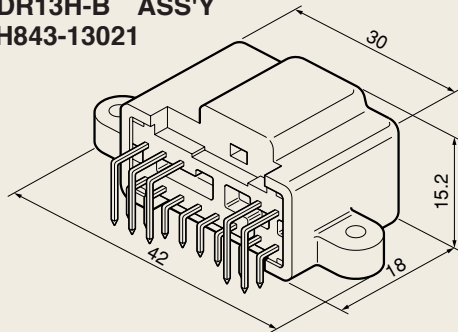
CDR13V-W ASS'Y
PH842-13011

CDR13V-B ASS'Y
PH842-13021



CDR13H-W ASS'Y
PH843-13011

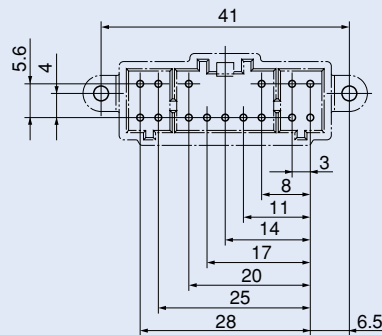
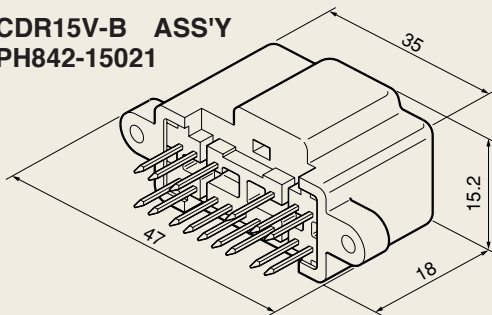
CDR13H-B ASS'Y
PH843-13021



15P

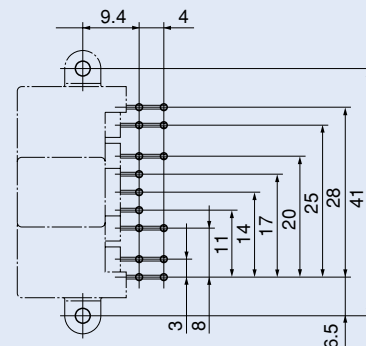
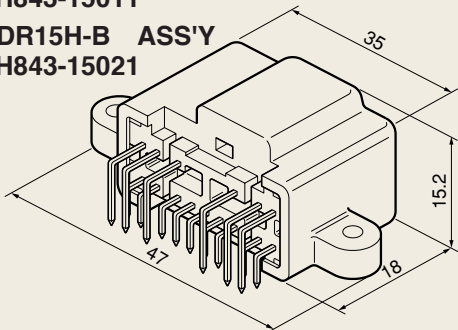
CDR15V-W ASS'Y
PH842-15011

CDR15V-B ASS'Y
PH842-15021



CDR15H-W ASS'Y
PH843-15011

CDR15H-B ASS'Y
PH843-15021

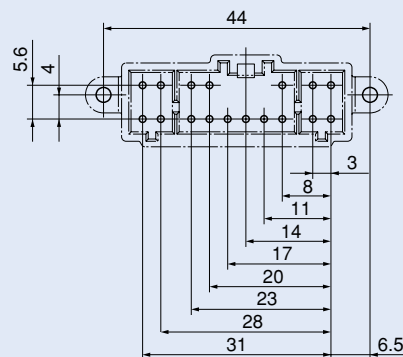
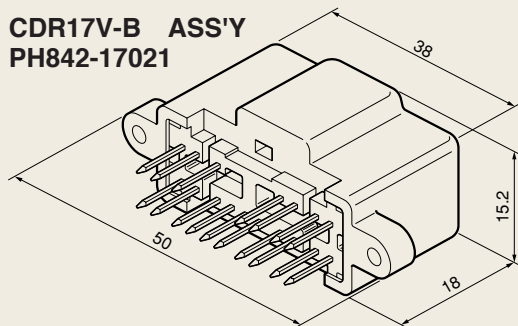
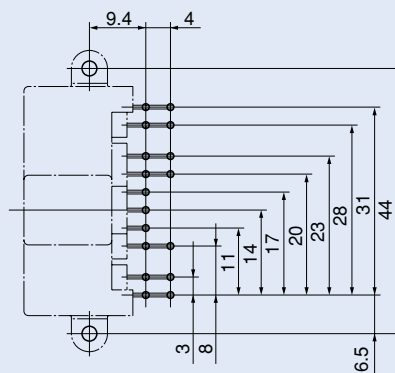
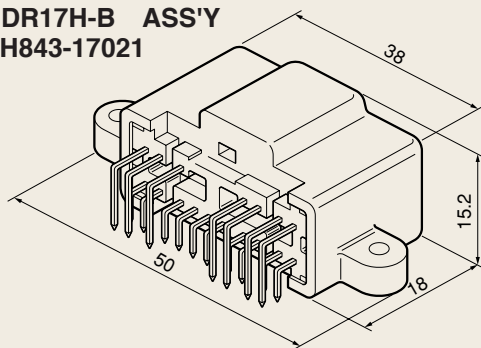


基板直付けタイプ direct-on-board installation type

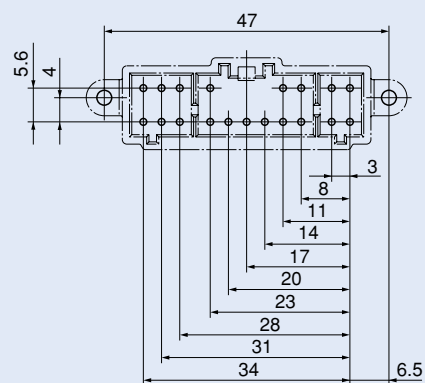
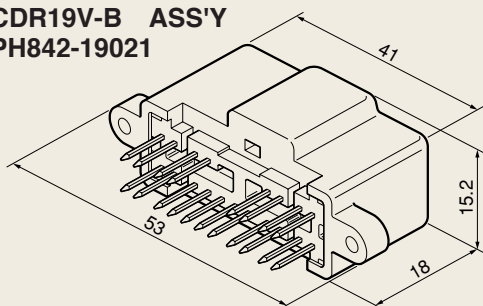
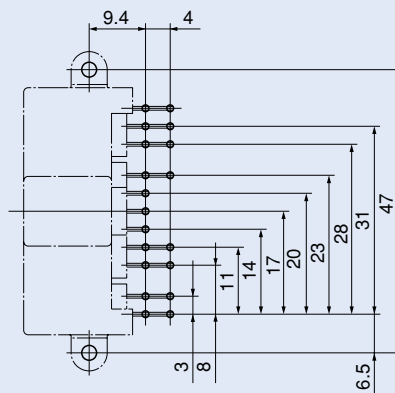
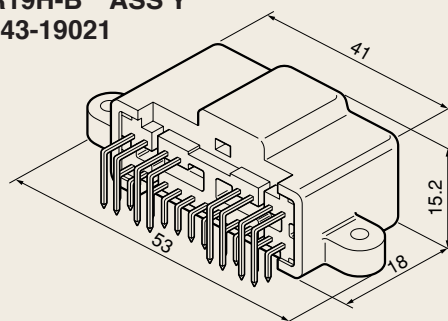
基板用コネクタ ON-BOARD CONNECTOR

プリント基板穴位置 HOLE POSITION OF PRINT BOARD

17P

CDR17V-W ASS'Y
PH842-17011CDR17V-B ASS'Y
PH842-17021CDR17H-W ASS'Y
PH843-17011CDR17H-B ASS'Y
PH843-17021

19P

CDR19V-W ASS'Y
PH842-19011CDR19V-B ASS'Y
PH842-19021CDR19H-W ASS'Y
PH843-19011CDR19H-B ASS'Y
PH843-19021

※ハウジング色は、自然色、黒を標準としておりますが、御希望により各色御用意致します。

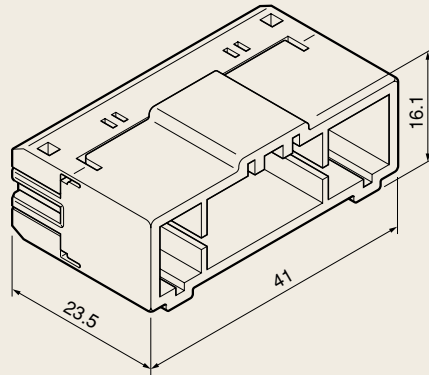
Being the colour of connector housings are usually natural or black, another colour if required, we can supply same.

オスハウジング MALE HOUSING

オスハウジング MALE HOUSING

J/C

J/C CDR19P-B ASS'Y
PU360-01021



※ヒンジ部が仮に破損を生じてても性能に差し支えありません。そのままお使いになれます。

※ジョイントパターンは、各種用意しております。パターンにより各部番設定しておりますので、詳しい設定は別途お問い合わせ下さい。

※Even if the hinge section is damaged, this will not hinder performance. The connector can still be used in such condition.

※Various types of joint patterns are available. Because part numbers are set-up according to the pattern, for details concerning set-up, please inquire separately.

ジョイントパターン JOINT PATTERNS

J/C CDR19P-W PU360-01011



J/C CDR19P-L PU361-01042



J/C CDR19P-GY PU360-01321



J/C CDR19P-LG PU361-01881



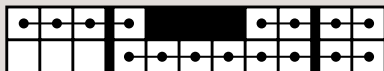
J/C CDR19P-BR PU360-01851



J/C CDR19P-LG PU361-01882



J/C CDR19P-B PU360-01021



J/C CDR19P-PU PU361-01511



J/C CDR19P-OR PU361-01901



J/C CDR19P-SB PU361-01841



J/C CDR19P-LBR PU361-01051



J/C CDR19P-MB PU361-01241



J/C CDR19P-L PU360-01041



J/C CDR19P-MB PU361-01242



